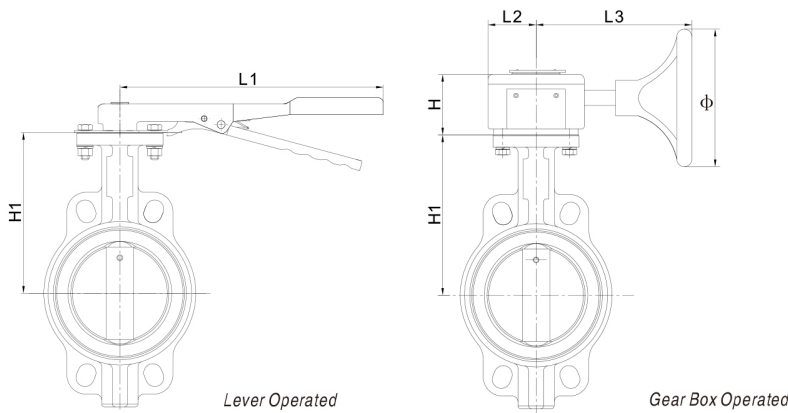


Material List

No.	Part Name	Material	Specification
1	Body	Ductile Iron	A536 Gr.65-45-12
2	Disc	Ductile Iron	A536 Gr.65-45-12
		Stainless Steel	A351 CF8/CF8M
3	Shaft	Stainless Steel	A276 410
4	Seat	EPDM/NBR/VITON	-
5	O-Ring	EPDM/NBR/VITON	-
6	Pin	Stainless Steel	A276 316/416
7	Bushing	PTFE/PAP	-
8	Lever	Malleable Iron	-
9	Gear Box Housing	Cast Iron	-



• Features

1. Replaceable Rubber Seat With Phenolic Backed
2. High Axiality of Pinned Shaft
3. Low Pressure Loss
4. Fusion Bonded Epoxy Powder Coating

• Design Standard

BS EN 593/MSS SP-67/
API 609/ISO 5752/BS 5155

• Working Pressure

16 Bar

• Flange Connection

ASME Class125/Class 150
BSEN1092-2 PN10/PN16
AS2129 Table D/Table E
JISB2239 10K/16K

• Working Temperature

-20°C to 110°C (EPDM Seat)
-10°C to 80°C (NBR Seat)
-10°C to 130°C (Viton Seat)

• Coating

Blue(RAL5015)/Black(RAL9005)/Grey(RAL7016)
Customization Accepted

Dimensions (mm)

INCH	Face to Face	H1	L1	H	L2	L3	Φ
2"	42	141.2	195	70	52	150	150
2-1/2"	44.5	150.4	195	70	52	150	150
3"	44.5	156.4	195	70	52	150	150
4"	51	167.9	266	70	52	150	150
5"	54.5	186.5	266	70	52	150	150
6"	54.5	205.7	328	70	52	150	150
8"	59.6	230.6	386	80	75	208	280
10"	67	269.9	386	80	75	208	280
12"	75.5	327.8	386	80	80	212	280
14"	76	368	-	80	80	212	280
16"	102	400	-	80	80	212	280
18"	114	422	-	97	88	201	175
20"	127	480	-	97	88	201	175
24"	151	562	-	105	128	283	255

Cv Value (90° full open)

DN	50	65	80	100	125	150	200	250	300	350	400	450	500	600
Inch	2"	2-1/2"	3"	4"	5"	6"	8"	10"	12"	14"	16"	18"	20"	24"
Cv	135	220	302	600	1022	1579	3136	5340	8250	11917	16388	21705	27908	43116

Cv is the flow rate of water in US gallons per minute of 60°F water, which passes through the valve with 1psi pressure drop across the valve.

Note: Information listed might be subject to change without notice due to continuing products development.